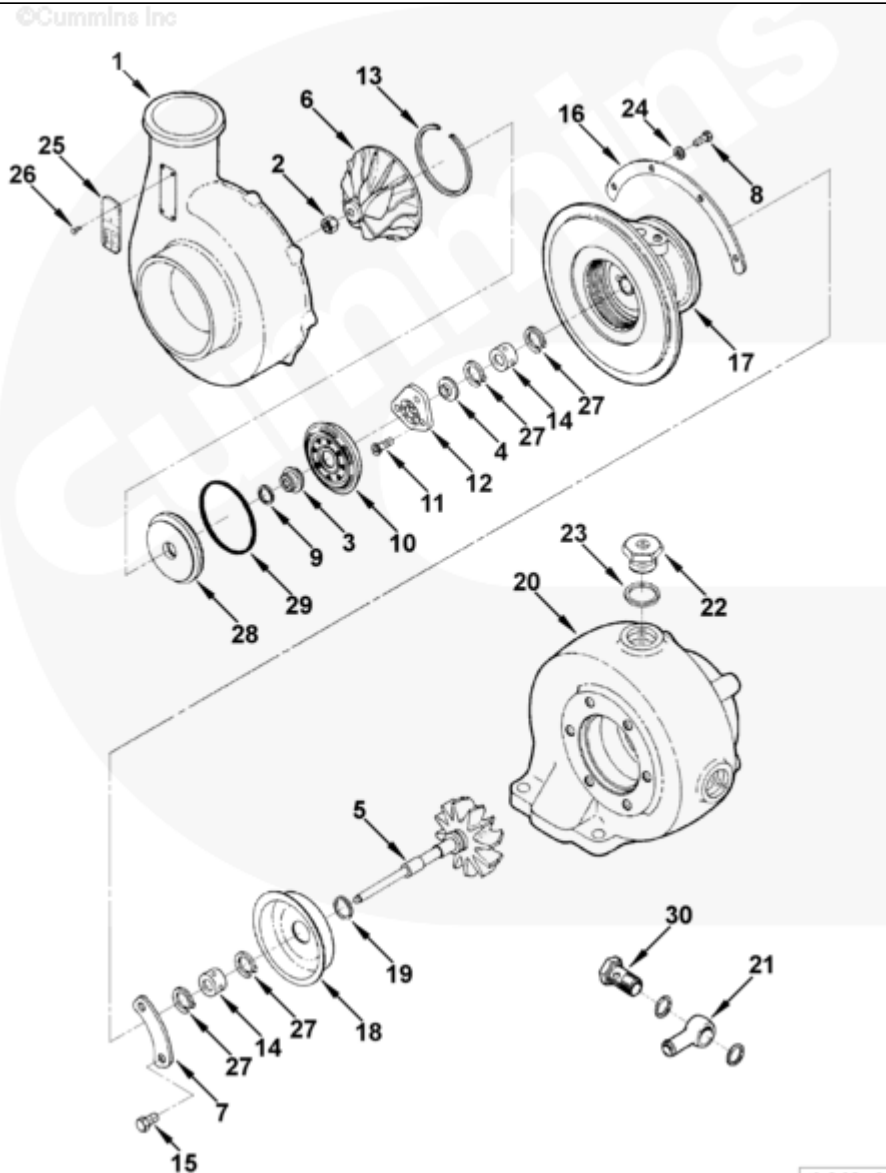




# Parts Catalog - Option Detail

| Electronic Parts Catalog - Option Detail |                                                                                                                                                                                                                                                                                                                                                                                                                                                                                                                                                                                                                                                                                                                                              |         |           |           |
|------------------------------------------|----------------------------------------------------------------------------------------------------------------------------------------------------------------------------------------------------------------------------------------------------------------------------------------------------------------------------------------------------------------------------------------------------------------------------------------------------------------------------------------------------------------------------------------------------------------------------------------------------------------------------------------------------------------------------------------------------------------------------------------------|---------|-----------|-----------|
| Option                                   | Group                                                                                                                                                                                                                                                                                                                                                                                                                                                                                                                                                                                                                                                                                                                                        | Graphic | Film Card | Date      |
| PP97316                                  | 10.06                                                                                                                                                                                                                                                                                                                                                                                                                                                                                                                                                                                                                                                                                                                                        | tb940gf | Z         | 13-JAN-97 |
| <b>Engines</b>                           | 6C8.3, C GAS PLUS CM556, G8.3, G8.3 CM558, GTA8.3 CM558, ISC CM2150, ISC CM554, ISC CM850, ISC8.3 CM2250, ISC8.3 G CM2180 C101, ISL CM2150, ISL CM554, ISL CM850, ISL G CM2180, ISL8.9 CM2150 L110, ISL8.9 CM2880 L112, ISL9 CM2150 SN, ISL9 CM2250, ISL9 CM2350 L101, ISL9 CM2350 L111, ISLE4 CM850, L GAS PLUS CM556, L8.9, L8.9 L121, L8.9G CMOH2.0 L125B, L9 CM2350 L116B, L9 CM2350 L119B, L9 CM2350 L120C, L9 CM2350 L123B, L9.3 L105, L9.5 L117, L9N CM2380 L124B, QSC8.3 CM2250, QSC8.3 CM2880 C102, QSC8.3 CM554, QSC8.3 CM850(CM2850), QSL9 CM2250, QSL9 CM2250 L115, QSL9 CM2350 L102, QSL9 CM2350 L107, QSL9 CM2350 L118, QSL9 CM2350 L122, QSL9 CM554, QSL9 CM850(CM2850), QSL9 G CM558, QSL9 M CM2250 L106, QSL9.3 CM2880 L113 |         |           |           |



tb940gf

SMALL | MEDIUM | LARGE

| Cart                         | Ref No | Part Number             | Part Description                 | Required | Remarks                               |
|------------------------------|--------|-------------------------|----------------------------------|----------|---------------------------------------|
| <a href="#">View My Cart</a> |        |                         |                                  |          |                                       |
|                              |        | <a href="#">PP97316</a> | Turbocharger                     |          | <a href="#">Turbocharger...(More)</a> |
|                              |        |                         |                                  |          | Engine Family: C Series               |
|                              |        |                         |                                  |          | Turbocharger Location: RMSO           |
|                              |        |                         |                                  |          | Base ID17 Turbocharger:               |
|                              |        |                         |                                  |          | 3538623                               |
|                              |        |                         |                                  |          | Turbocharger Type: Non-               |
|                              |        |                         |                                  |          | wastegate                             |
|                              |        |                         |                                  |          | Compressor Angle (shipping            |
|                              |        |                         |                                  |          | deg): 258                             |
|                              |        |                         |                                  |          | Turbine Angle (deg): 270              |
|                              |        |                         |                                  |          | Engine Cylinders: 6                   |
|                              |        |                         |                                  |          | Engine Aspiration: Sea Water          |
|                              |        |                         |                                  |          | Aftercooled Turbocharged              |
|                              |        |                         |                                  |          |                                       |
| <input type="checkbox"/>     |        | <a href="#">3802886</a> | Turbocharger Kit                 | 1        |                                       |
|                              |        | <a href="#">3538623</a> | Turbocharger                     | 1        |                                       |
| <input type="checkbox"/>     | 1      | <a href="#">3525664</a> | Compressor Housing               | 1        |                                       |
| <input type="checkbox"/>     | 2      | <a href="#">3760250</a> | Lock Nut                         | 1        | M8 x 1.25                             |
| <input type="checkbox"/>     | 3      | <a href="#">3502231</a> | Oil Slinger                      | 1        |                                       |
| <input type="checkbox"/>     | 4      | <a href="#">3523542</a> | Thrust Collar                    | 1        |                                       |
| <input type="checkbox"/>     | 5      | <a href="#">3522232</a> | Shaft Wheel Rotor                | 1        |                                       |
| <input type="checkbox"/>     | 6      | <a href="#">3524997</a> | Turbocharger Compressor Impeller | 1        |                                       |
| <input type="checkbox"/>     | 7      | <a href="#">3502017</a> | Clamping Plate                   | 3        |                                       |
| <input type="checkbox"/>     | 8      | <a href="#">3759526</a> | Hexagon Head Set Screw           | 8        | M6 x 1.00 x 12                        |
| <input type="checkbox"/>     | 9      | <a href="#">3758848</a> | Split Ring Seal                  | 1        |                                       |
| <input type="checkbox"/>     | 10     | <a href="#">3503668</a> | Oil Baffle                       | 1        |                                       |
| <input type="checkbox"/>     | 11     | <a href="#">3503347</a> | Flat Head Cap Screw              | 3        |                                       |
| <input type="checkbox"/>     | 12     | <a href="#">3523613</a> | Turbocharger Thrust Bearing      | 1        |                                       |

|                          |    |                         |                              |   |                 |
|--------------------------|----|-------------------------|------------------------------|---|-----------------|
| <input type="checkbox"/> | 13 | <a href="#">3762449</a> | Retaining Ring               | 1 |                 |
| <input type="checkbox"/> | 14 | <a href="#">3504413</a> | Turbocharger Bearing         | 2 |                 |
| <input type="checkbox"/> | 15 | <a href="#">3759917</a> | Hexagon Head Set Screw       | 6 | M8 X 1.25 X 12. |
| <input type="checkbox"/> | 16 | <a href="#">3523227</a> | Clamping Plate               | 2 |                 |
| <input type="checkbox"/> | 17 | <a href="#">3525199</a> | Turbocharger Bearing Housing | 1 |                 |
| <input type="checkbox"/> | 18 | <a href="#">3529846</a> | Turbocharger Heat Shield     | 1 |                 |
| <input type="checkbox"/> | 19 | <a href="#">3756754</a> | Split Ring Seal              | 1 |                 |
|                          | 20 | <a href="#">3526038</a> | Turbine Housing              | 1 |                 |
| <input type="checkbox"/> | 21 | <a href="#">3533759</a> | Banjo Connector Union        | 1 |                 |
| <input type="checkbox"/> | 22 | <a href="#">3503678</a> | Reducing Adapter             | 1 |                 |
| <input type="checkbox"/> | 23 | <a href="#">3755947</a> | Sealing Washer               | 4 |                 |
|                          | 24 | <a href="#">3518004</a> | Lock Washer                  | 8 | M6              |
|                          | 25 | <a href="#">3527619</a> | Dataplate                    | 1 |                 |
| <input type="checkbox"/> | 26 | <a href="#">3519163</a> | Drive Screw                  | 2 |                 |
| <input type="checkbox"/> | 27 | <a href="#">3709753</a> | Retaining Ring               | 4 |                 |
| <input type="checkbox"/> | 28 | <a href="#">3762564</a> | Oil Seal Plate               | 1 |                 |
| <input type="checkbox"/> | 29 | <a href="#">3762915</a> | O-Ring Seal                  | 1 |                 |
| <input type="checkbox"/> | 30 | <a href="#">3533760</a> | Banjo Connector Screw        | 1 |                 |